

# Intel® NUC Kit

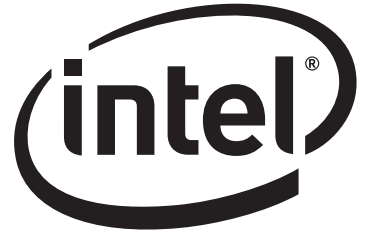
NUC9VXQNX

NUC9V7QNX

NUC9i9QNX

NUC9i7QNX

NUC9i5QNX



Regulatory Model: NUC9QN

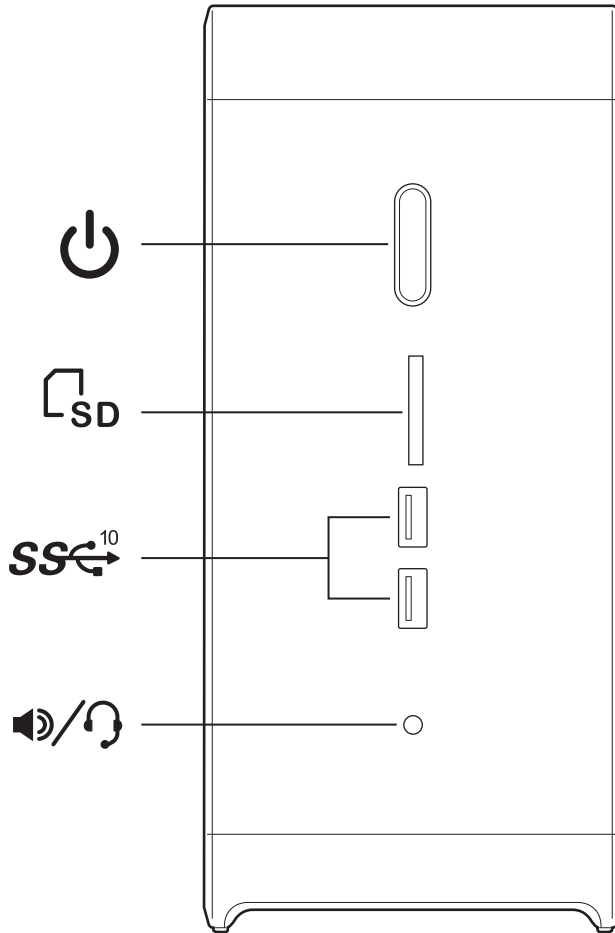
## Quick Start Guide



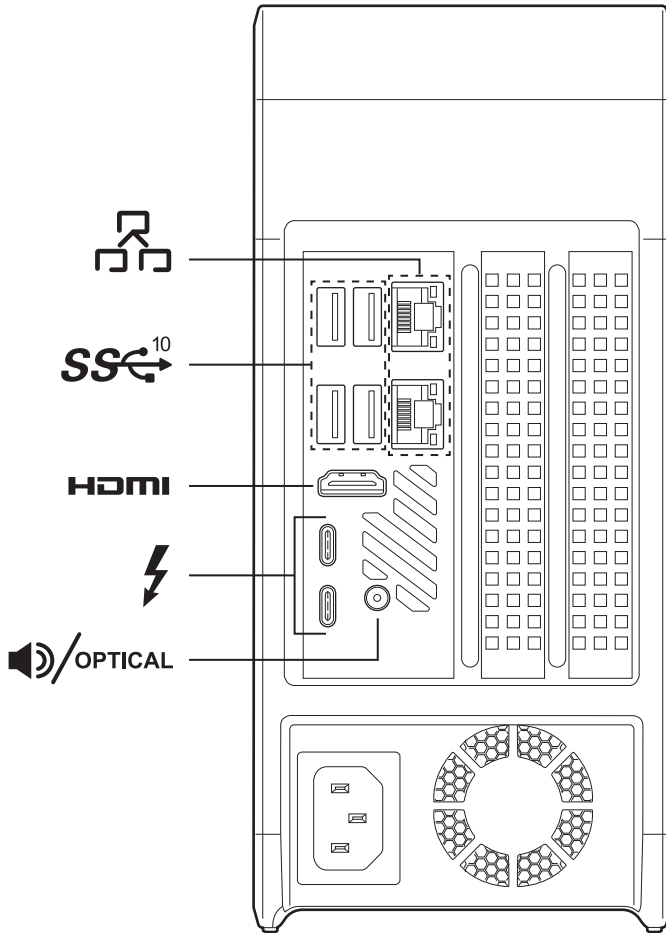
## Table of Contents

Front View .....	1
Rear View .....	2
Disconnect Power Cables .....	3
Remove Top Cover/Fan Assembly .....	4
Remove Left Side Assembly .....	5
Remove Cross Bar Bracket .....	6
Fold Back Air Guide .....	7
Open Quartz Canyon Door.....	8
Install Memory into Quartz Canyon .....	9
Install M.2 Module into Quartz Canyon.....	10
Close Quartz Canyon Door .....	11
Fold Air Guide Into Place .....	12
Install Add-in Card .....	12
Install Cross Bar Bracket .....	13
Install Left Side Panel .....	14
Install Top Cover/Fan Assembly.....	15
Install M.2 Onto Baseboard .....	16
Powering the System .....	25

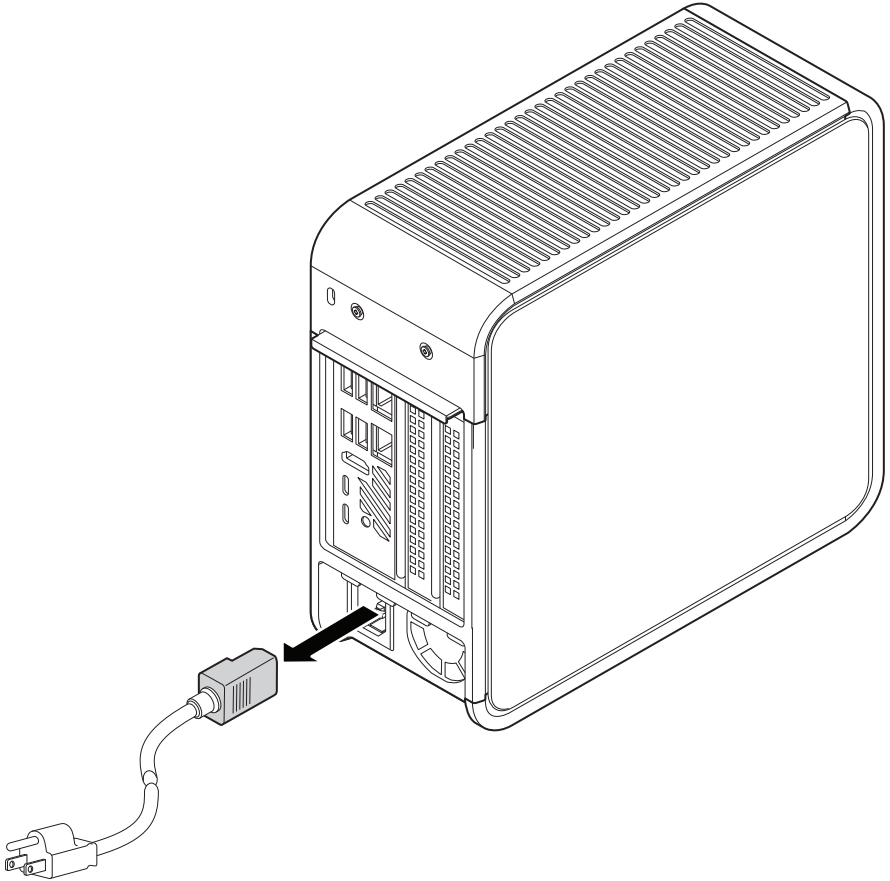
# Front View



# Rear View



## Disconnect System Power Cables



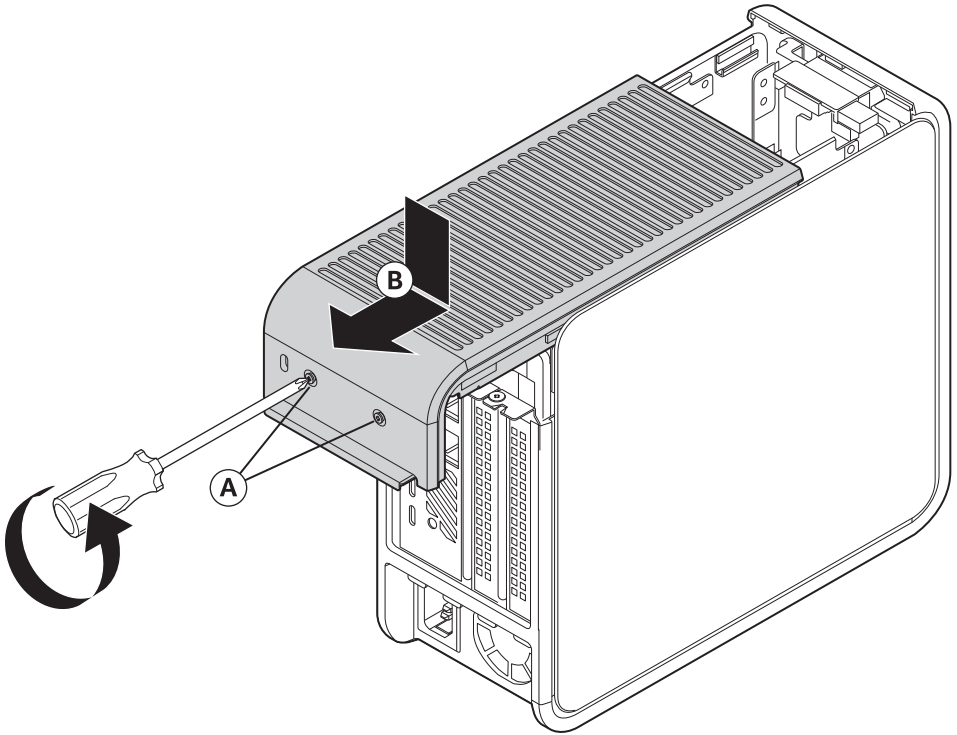
Disconnect the attached power cords, telecommunications systems, networks, and modems before you open or service the device.

장치를 열거나 서비스하기 전에 연결된 전원 코드, 통신 시스템, 네트워크 및 모뎀의 연결을 해제해야 합니다.

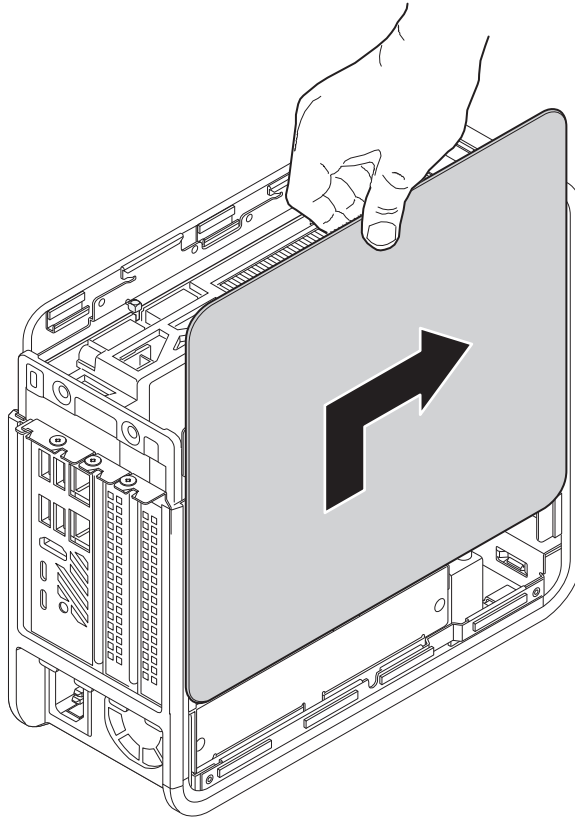
在開啟或保養裝置前，請將所有電源線、電信系統、網路與數據機全部拔除。

Отключите подключенные шнуры питания, телекоммуникационные системы, сети и модемы, прежде чем открывать или обслуживать устройство.

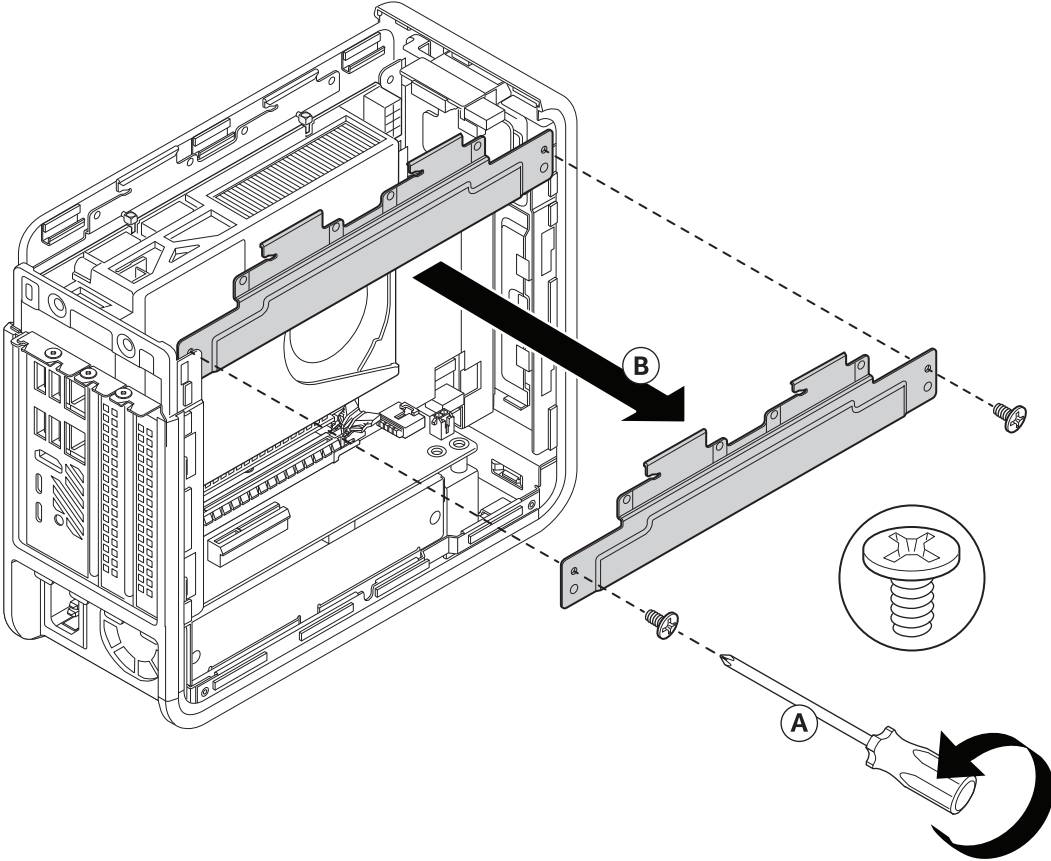
## Remove Top Cover/Fan Assembly



## Remove Left Side Panel

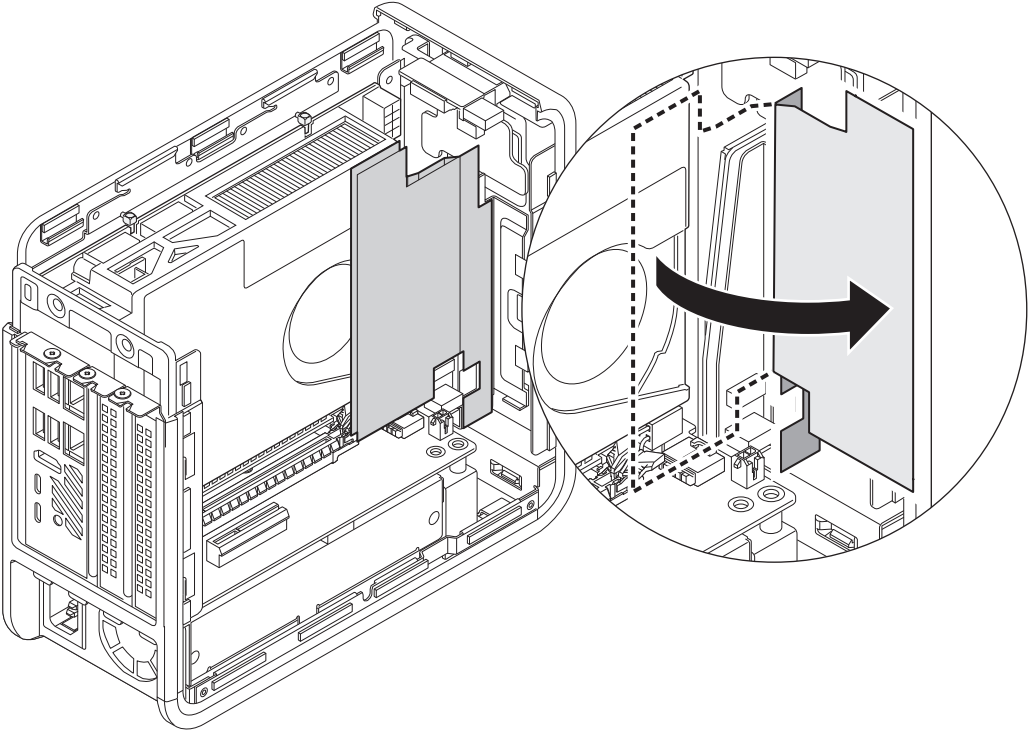


# Remove Cross Bar Bracket

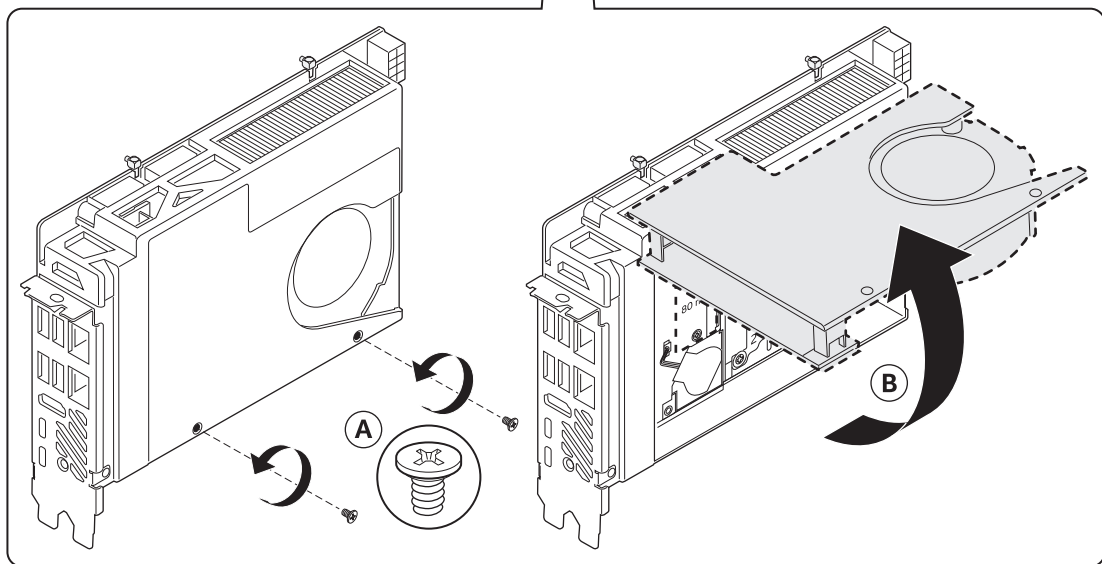
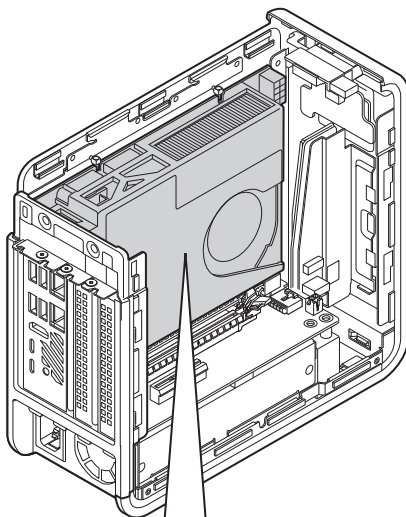




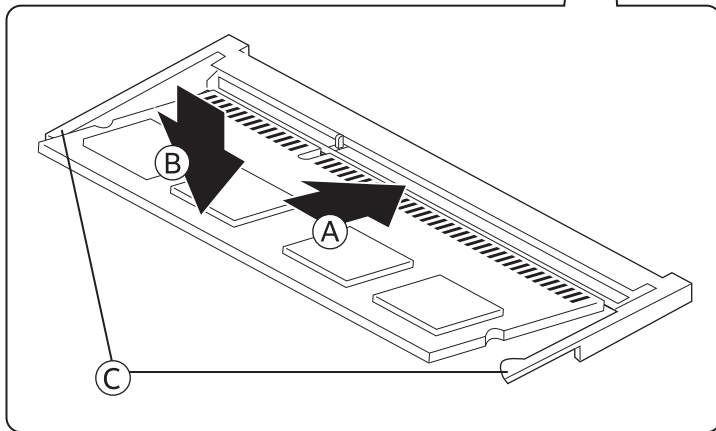
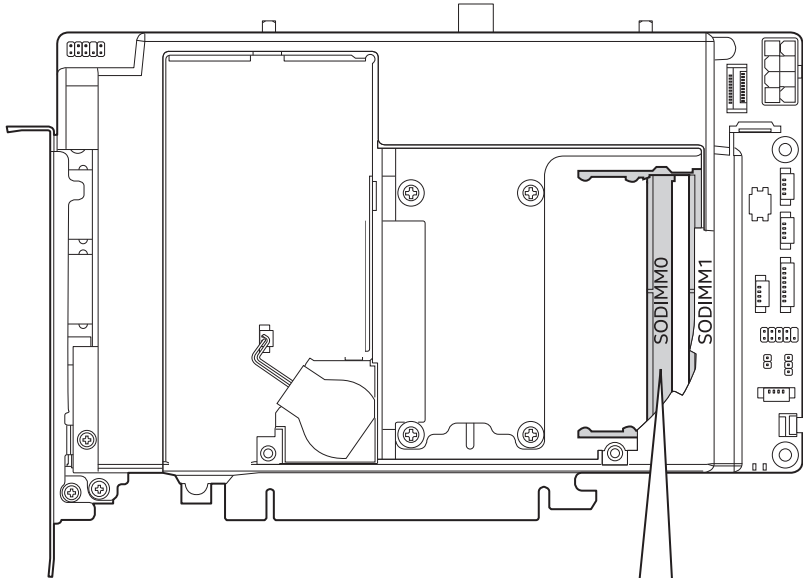
# Fold Air Guide Back



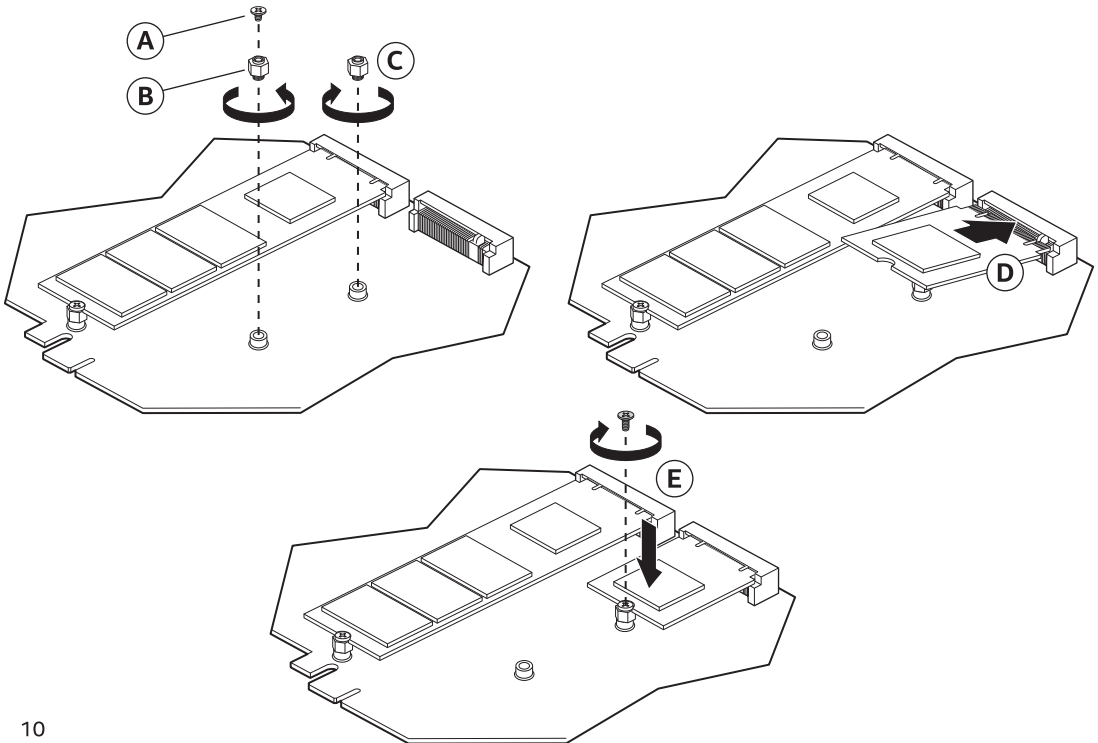
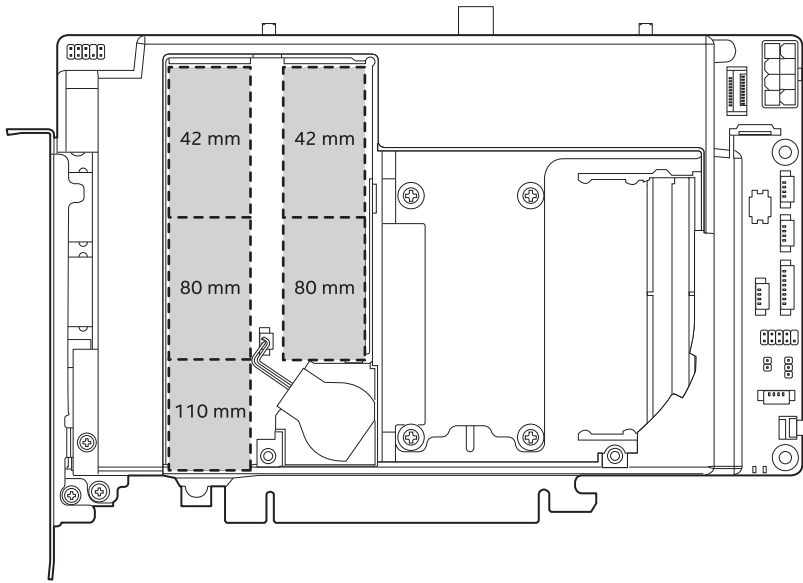
## Open Quartz Canyon Door



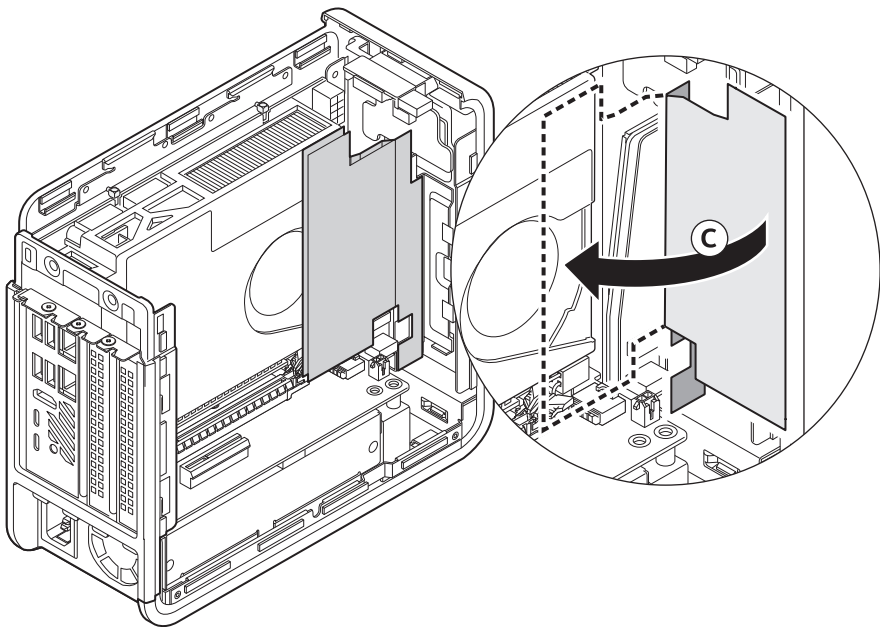
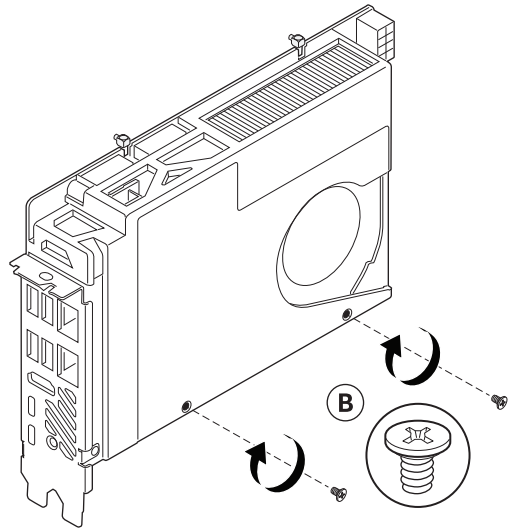
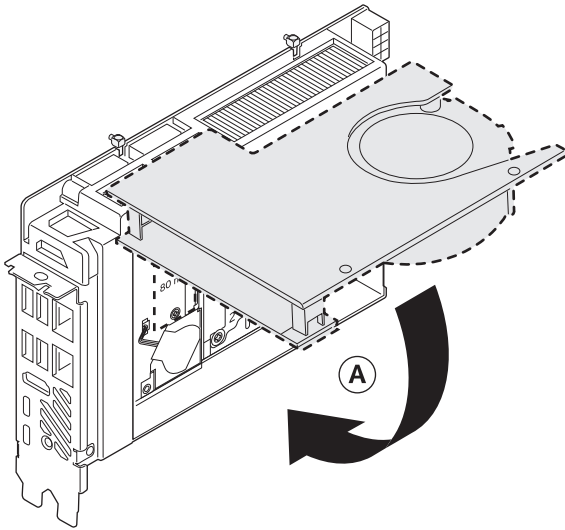
# Install Memory into Quartz Canyon



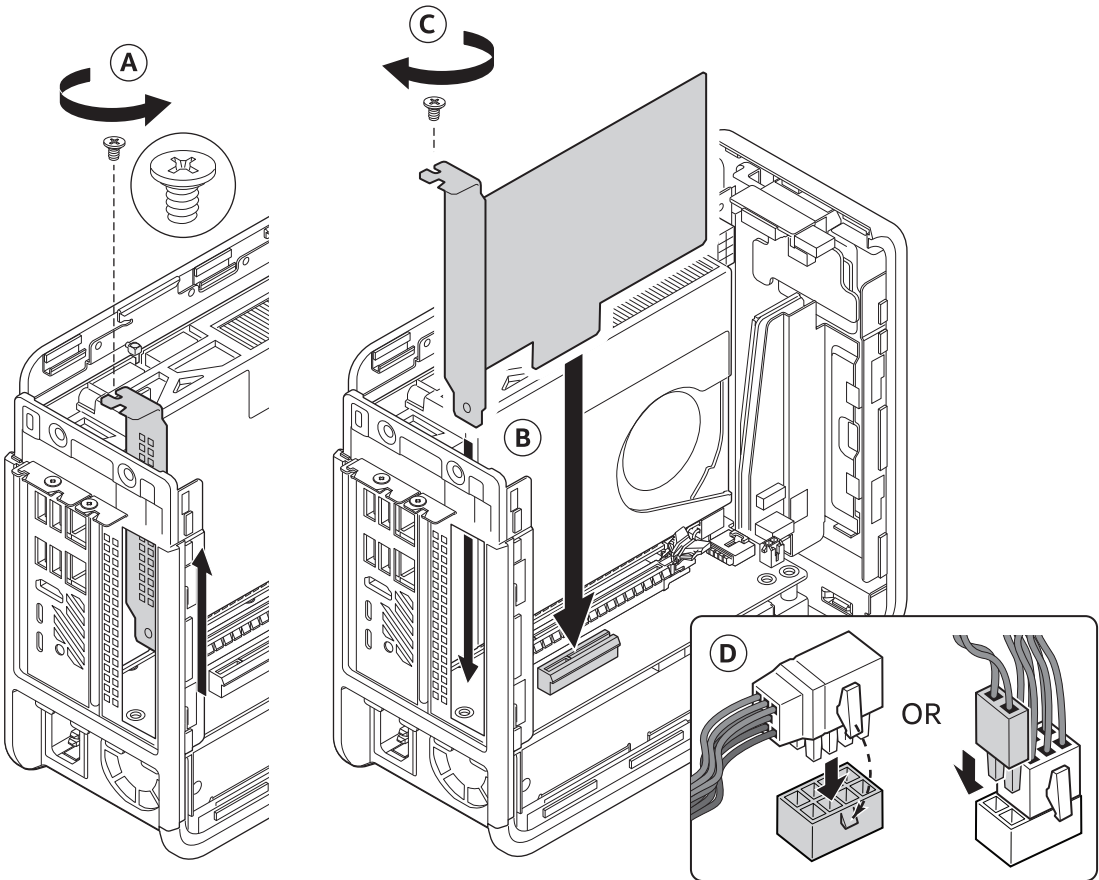
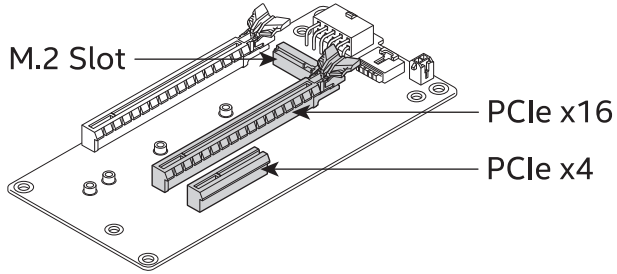
# Install M.2 Module(s) into Quartz Canyon



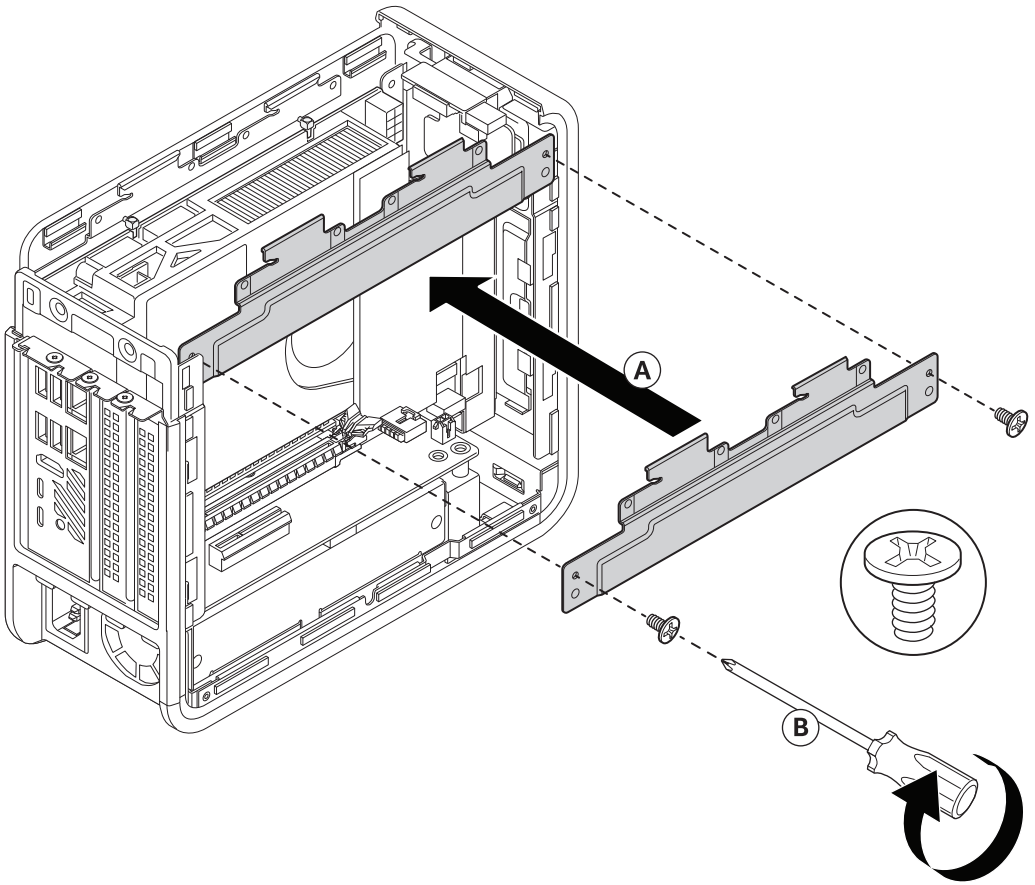
# Close Quartz Canyon Door and Fold Air Guide Into Place



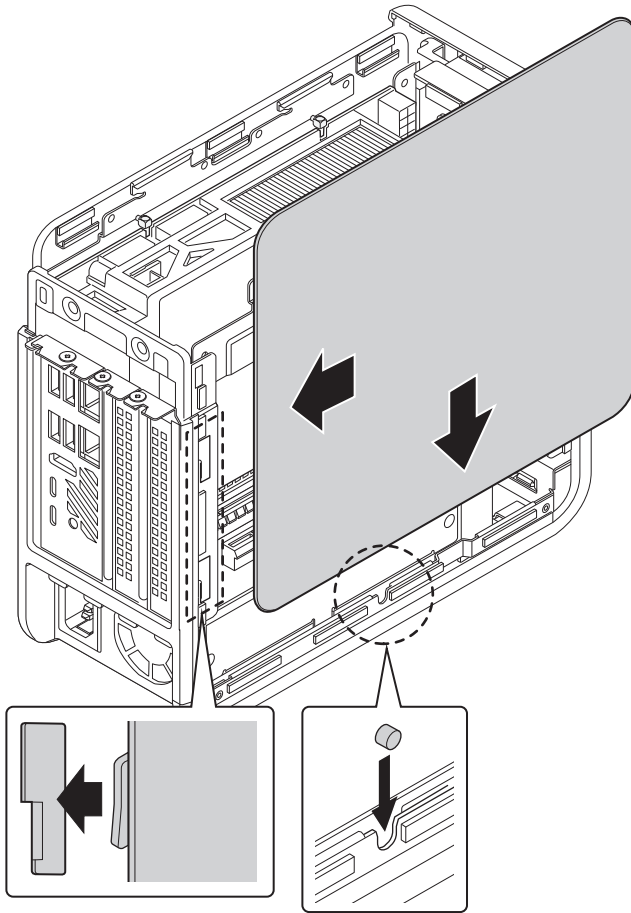
# Install Add-In Card



# Install Cross Bar Bracket

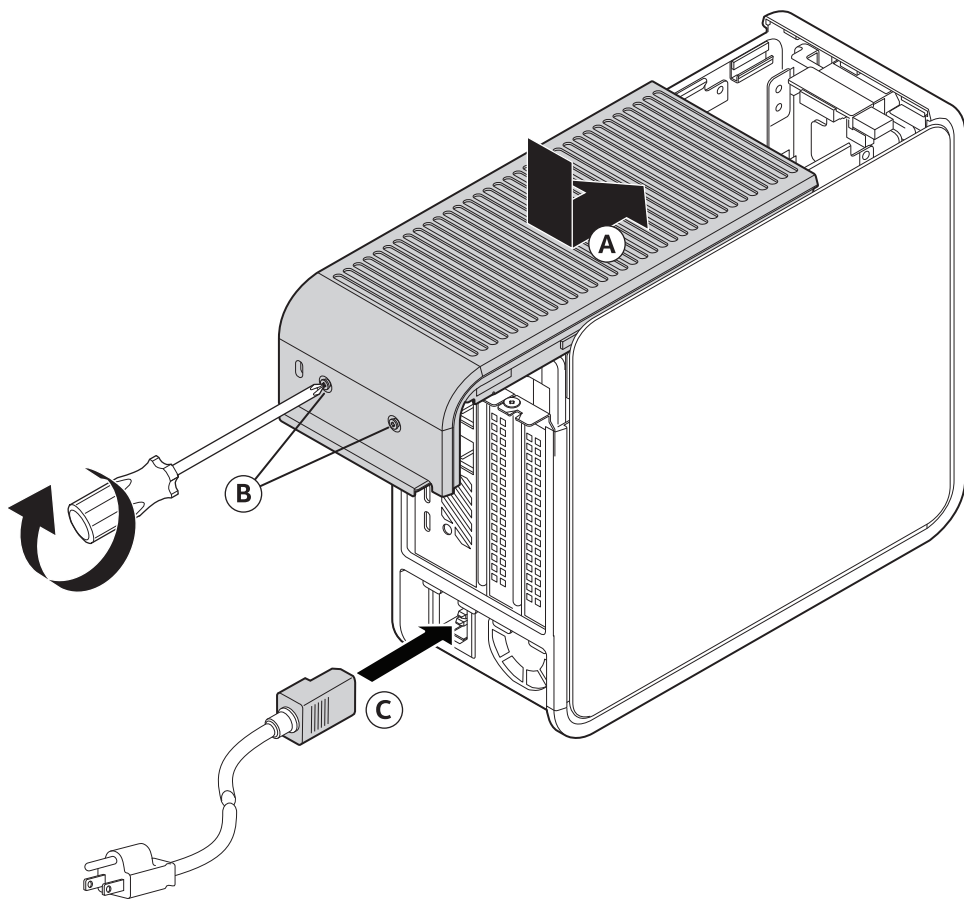


## Install Left Side Panel





## Install Top Cover/Fan Assembly and Apply Power Cable



All chassis exterior panels must be installed before power is applied to the chassis.

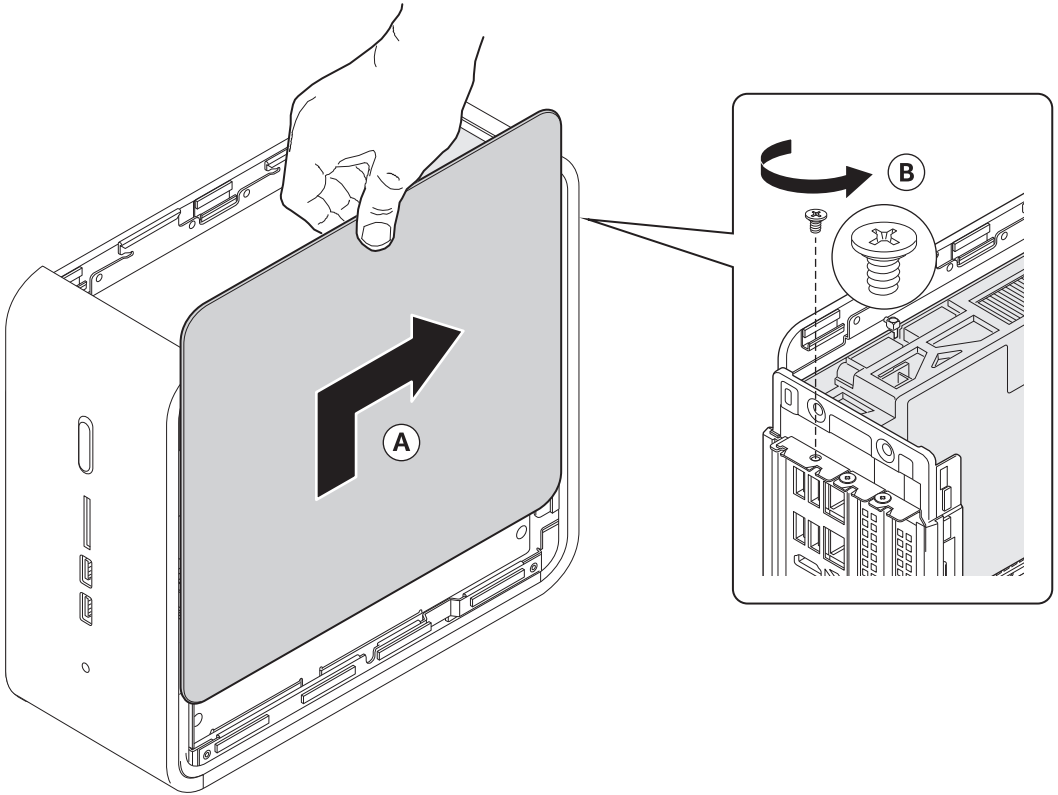
장치에 전원을 공급하기 전에 모든 새시 외장 패널을 설치해야 합니다.

將裝置接上電源前，所有機殼外部面板必須安裝完成。

Все внешние панели корпуса должны быть установлены до подачи питания на устройство.

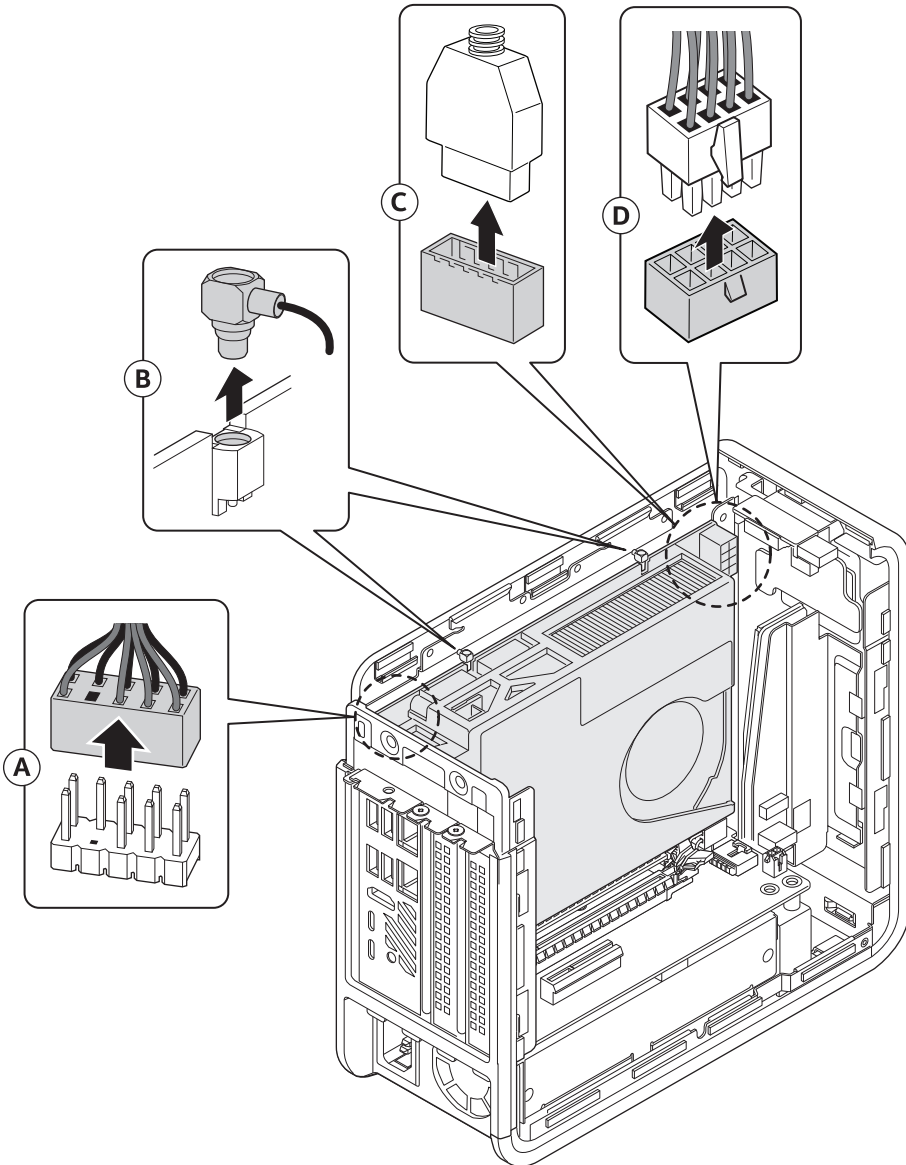
# Install M.2 onto Baseboard

Remove Right Side Panel and Rear Retention Screw



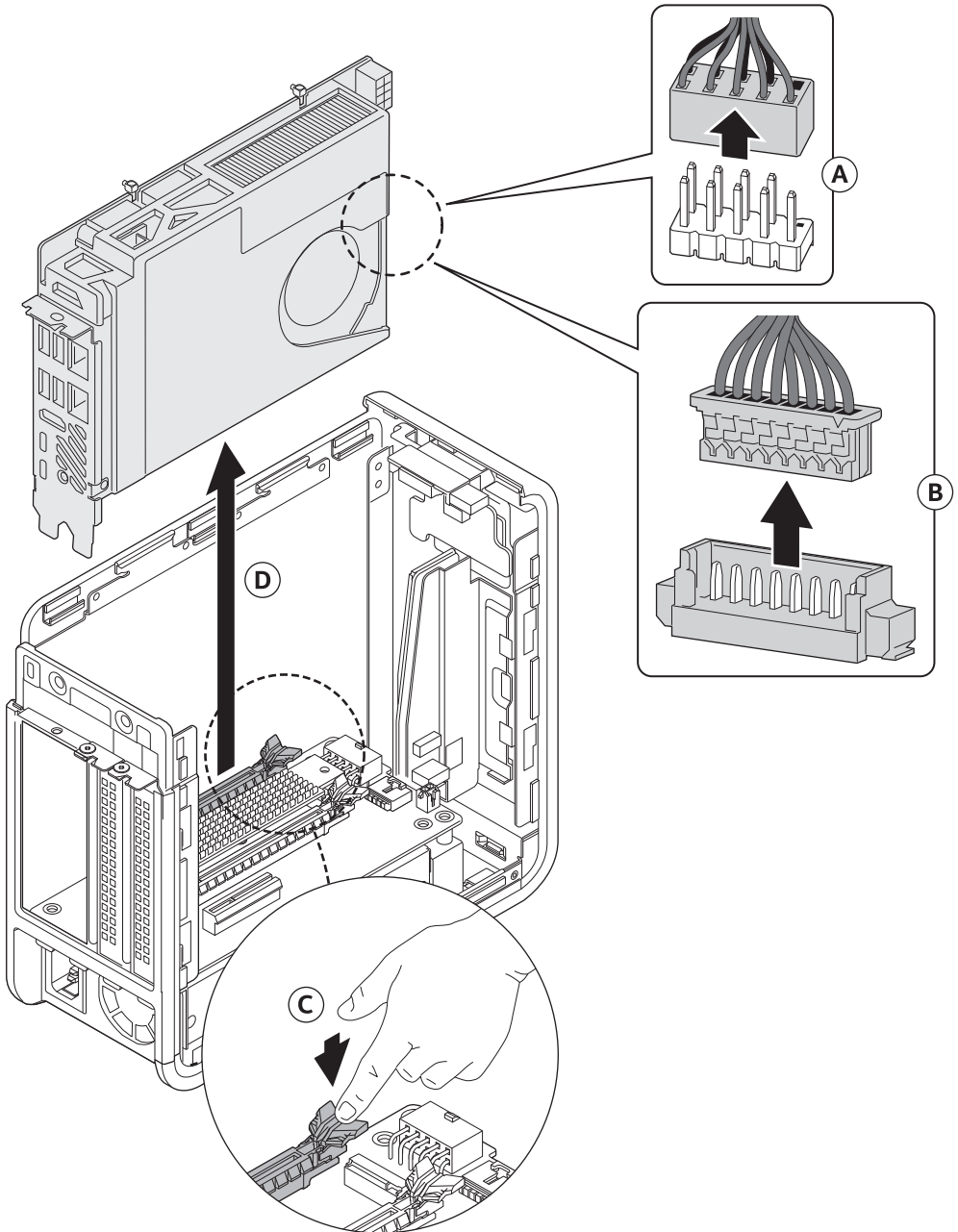
# Install M.2 onto Baseboard

Disconnect Audio, Antenna, Type-C, and EPS Power Connections



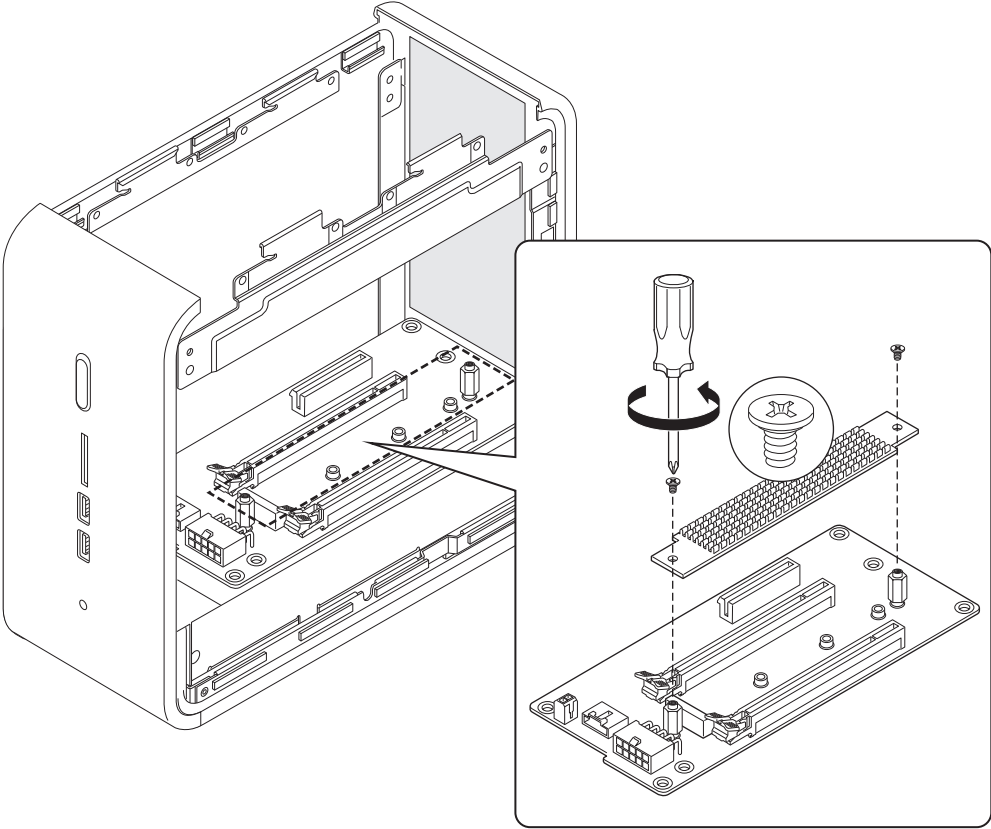
# Install M.2 onto Baseboard

Disconnect Front Panel and Aux Fan, Remove Quartz Canyon

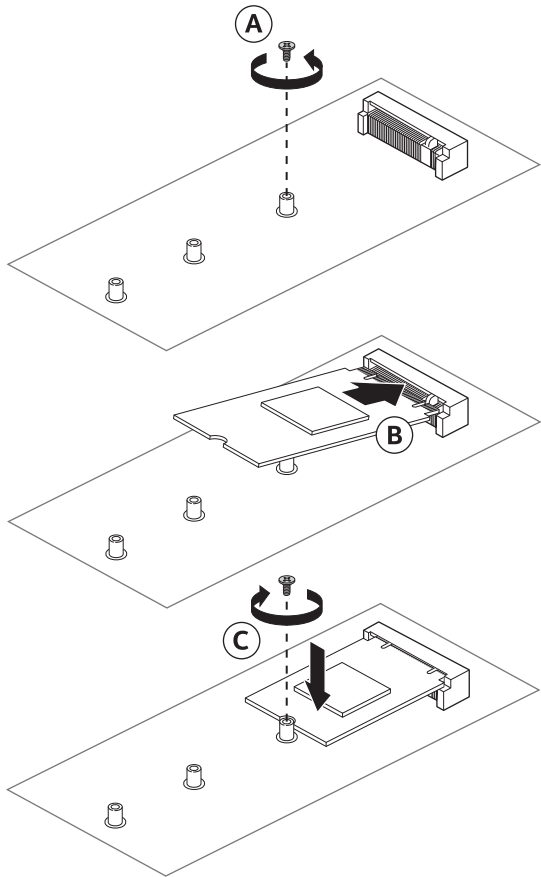
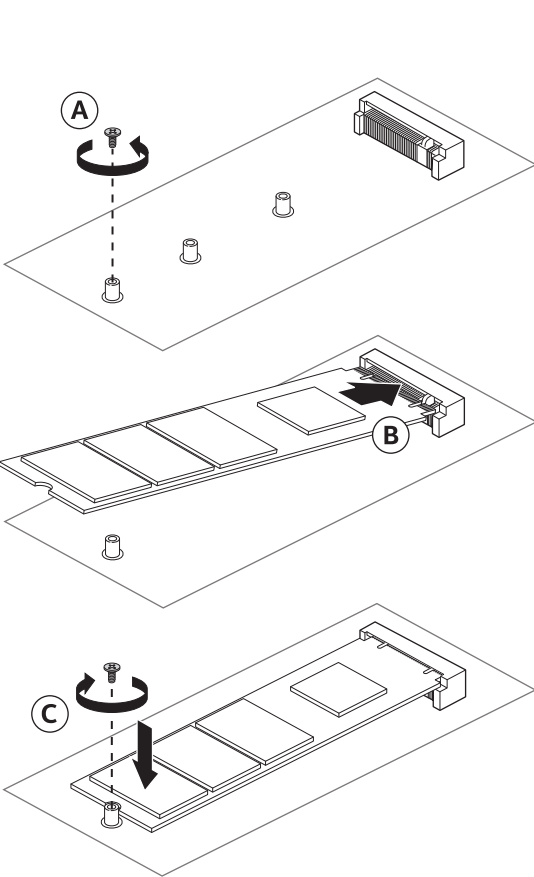
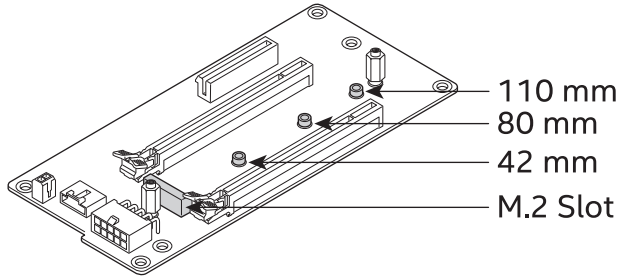


# Install M.2 onto Baseboard

## Remove M.2 Heatsink From Baseboard

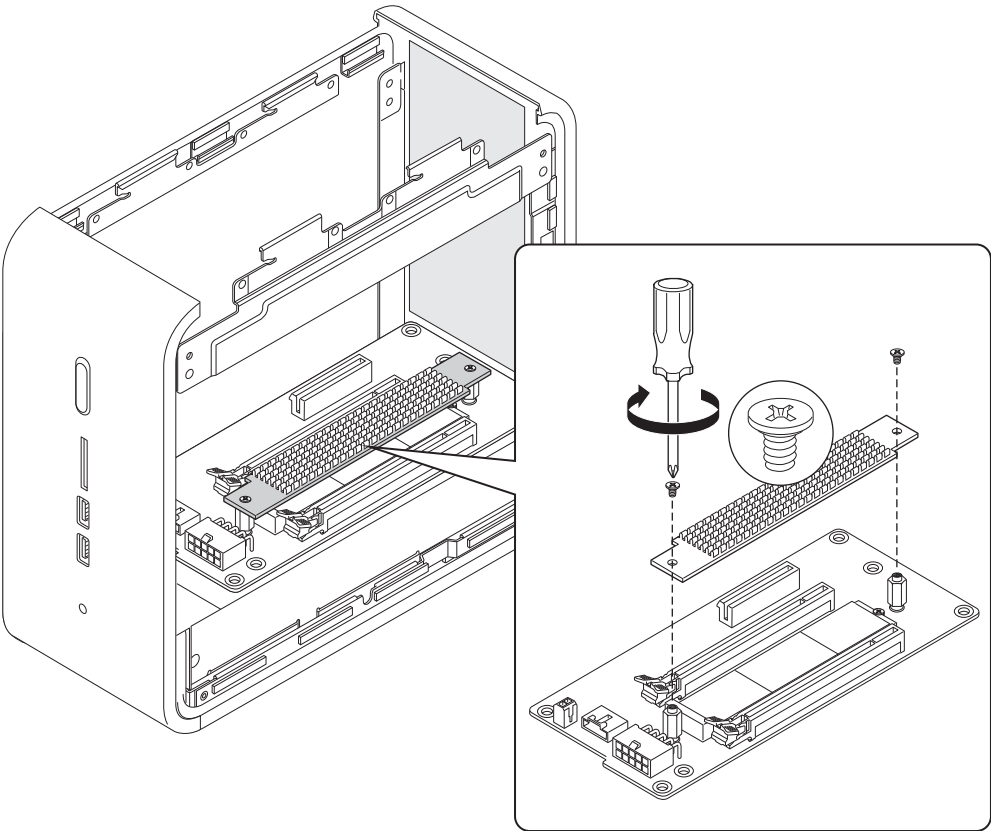


# Install M.2 onto Baseboard



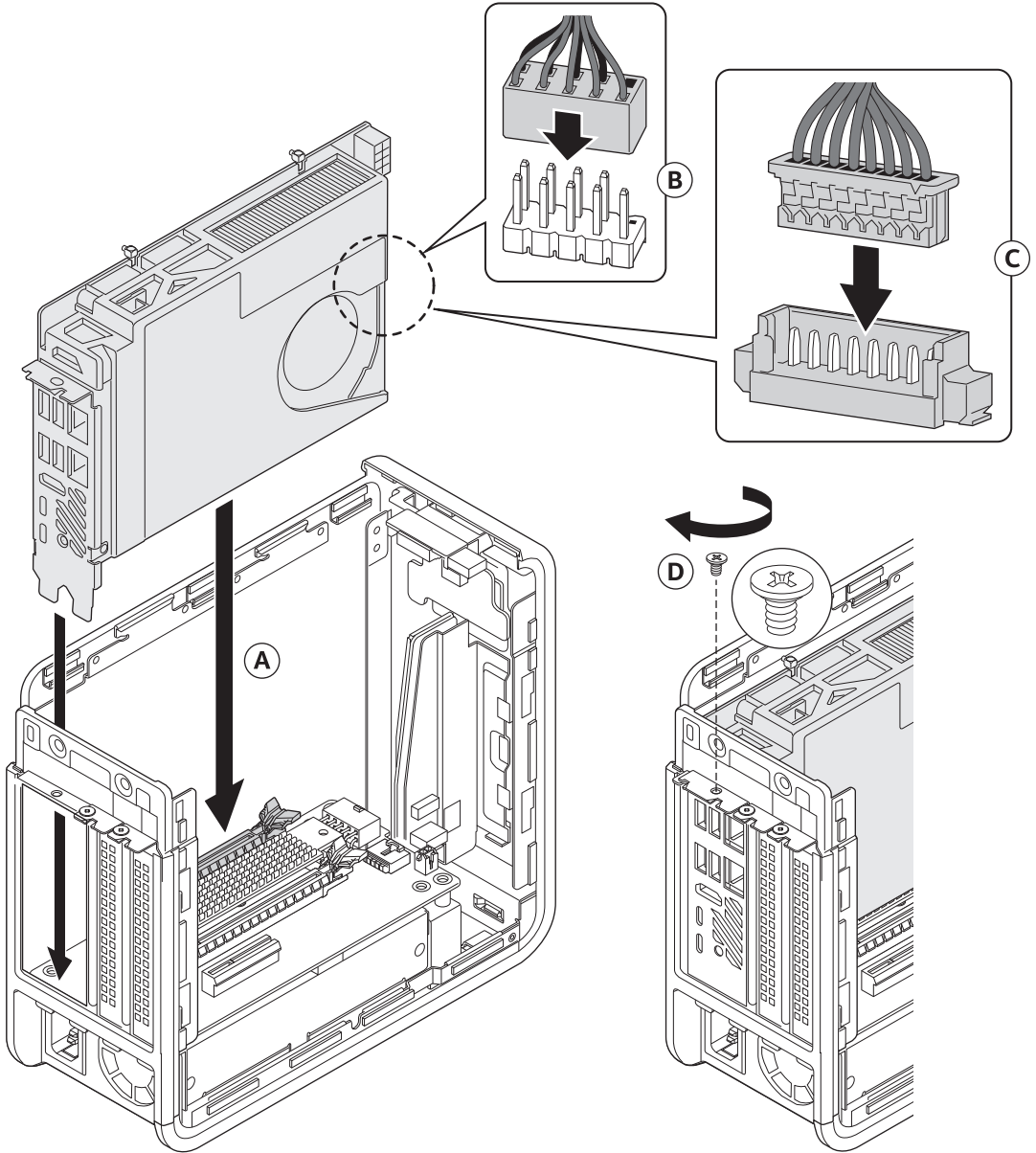
# Install M.2 onto Baseboard

## Reinstall M.2 Heatsink onto Baseboard



# Install M.2 onto Baseboard

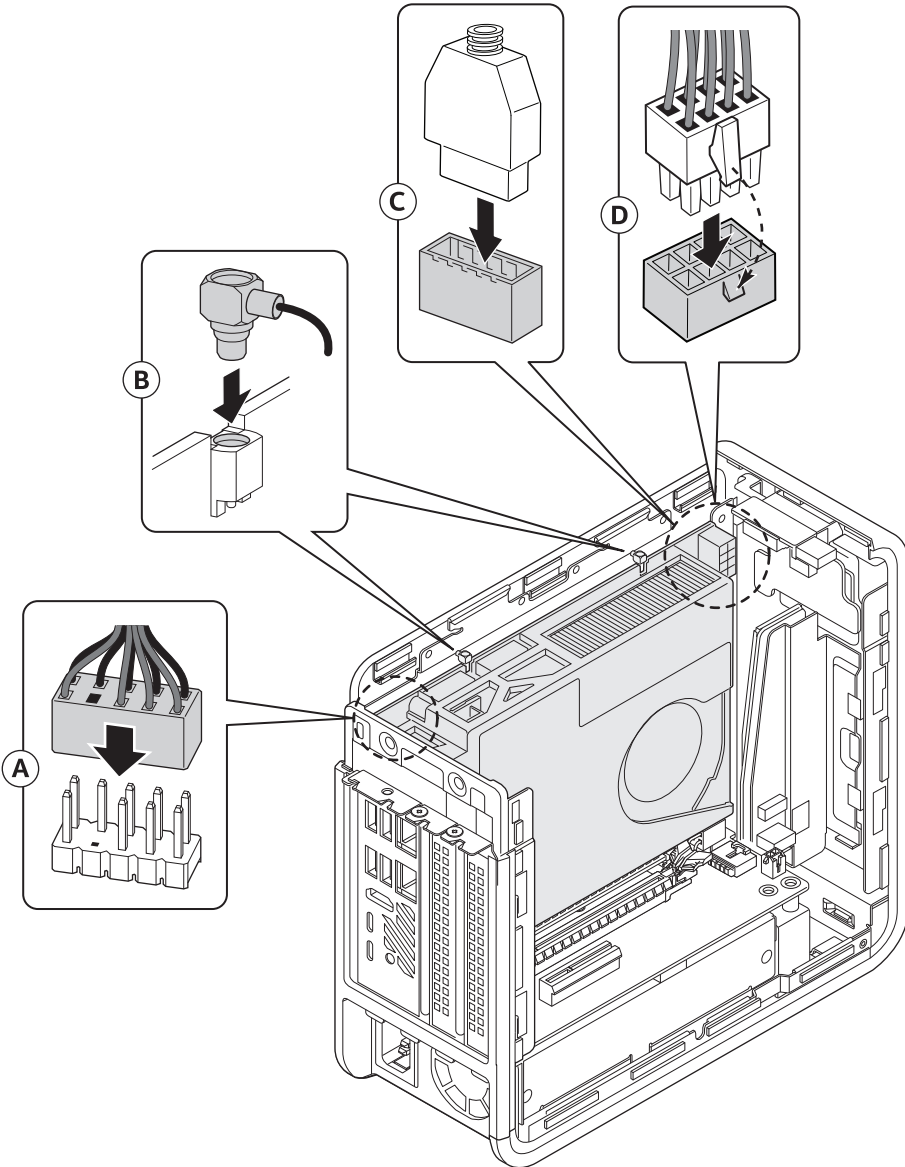
Reinstall Quartz Canyon and Connect Front Panel and Aux Fan





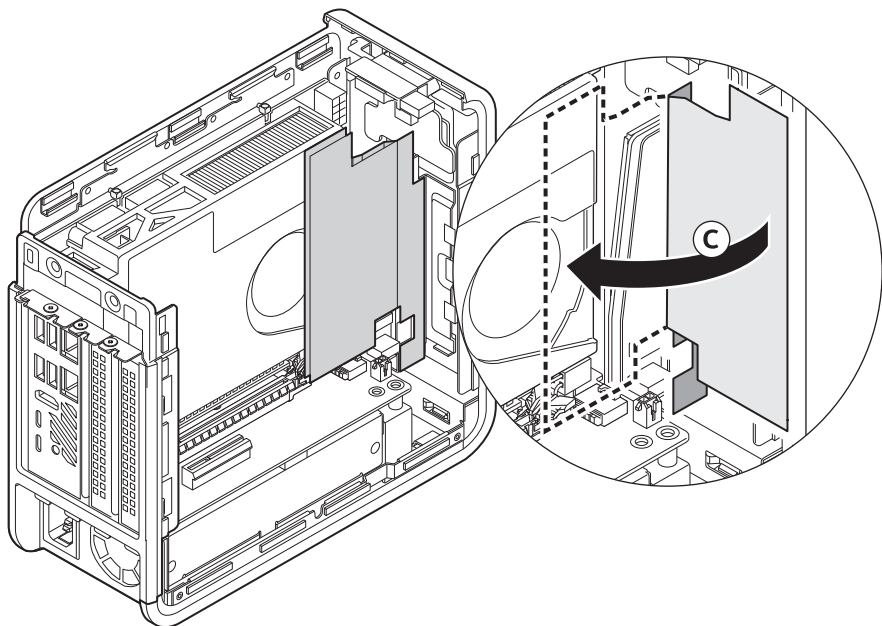
# Install M.2 onto Baseboard

Reconnect Audio, Antenna, Type-C, and GPU Power Connections

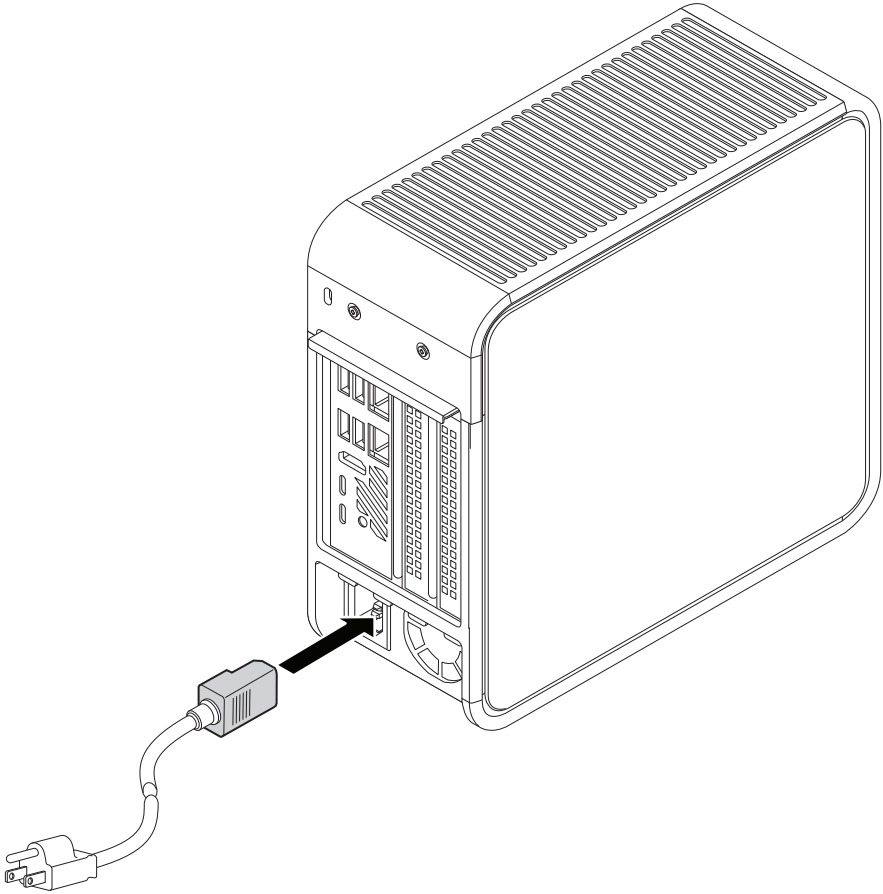


# Install M.2 onto Baseboard

## Fold Air Guide Into Place



## Powering the System



All chassis exterior panels must be installed before power is applied to the chassis.

장치에 전원을 공급하기 전에 모든 새시 외장 패널을 설치해야 합니다.

將裝置接上電源前, 所有機殼外部面板必須安裝完成。

Все внешние панели корпуса должны быть установлены до подачи питания на устройство.

# Disclaimer

INFORMATION IN THIS DOCUMENT IS PROVIDED IN CONNECTION WITH INTEL® PRODUCTS. NO LICENSE, EXPRESS OR IMPLIED, BY ESTOPPEL OR OTHERWISE, TO ANY INTELLECTUAL PROPERTY RIGHTS IS GRANTED BY THIS DOCUMENT. EXCEPT AS PROVIDED IN INTEL'S TERMS AND CONDITIONS OF SALE FOR SUCH PRODUCTS, INTEL ASSUMES NO LIABILITY WHATSOEVER, AND INTEL DISCLAIMS ANY EXPRESS OR IMPLIED WARRANTY, RELATING TO SALE AND/OR USE OF INTEL PRODUCTS INCLUDING LIABILITY OR WARRANTIES RELATING TO FITNESS FOR A PARTICULAR PURPOSE, MERCHANTABILITY, OR INFRINGEMENT OF ANY PATENT, COPYRIGHT OR OTHER INTELLECTUAL PROPERTY RIGHT.

Intel products are not intended for use in medical, life saving, or life sustaining applications. Intel may make changes to specifications and product descriptions at any time, without notice. Intel products may contain design defects or errors known as errata which may cause the product to deviate from published specifications. Current characterized errata are available on request.

The SuperSpeed USB Trident® logo is a registered trademark owned by USB Implementers Forum, Inc. and any use of such mark by Intel Corporation is under license.

The terms HDMI and HDMI High-Definition Multimedia Interface, and the HDMI Logo are trademarks or registered trademarks of HDMI Licensing LLC in the United States and other countries.

Intel and the Intel logo are trademarks of Intel Corporation in the United States and/or other countries.

\* Other names and brands may be claimed as the property of others.  
Copyright © 2019, Intel Corporation. All rights reserved.



K68440-001